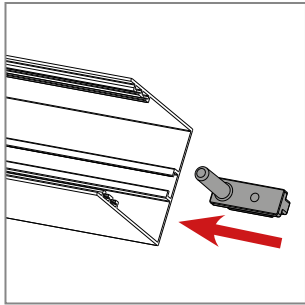




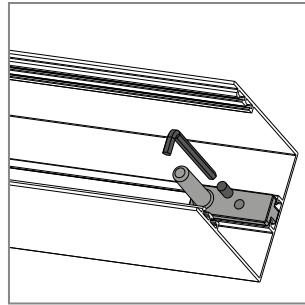
## LINDAPLUS INSTALLING INSTRUCTIONS

The installation of the insect screen should be made by qualified personnel following the instructions listed below.

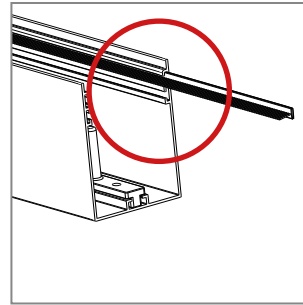
Use screws or anchors suitable for the type of wall on which the insect screen will be installed. Make sure that the jambs are parallel and at right-angle; in case of out of square walls make the necessary adjustments to ensure parallelism to the profiles of the insect screen.



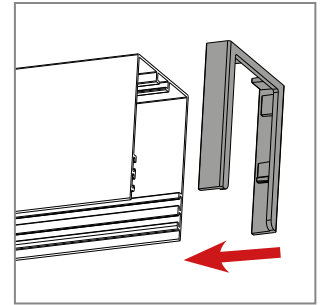
**1** Insert the upper bayonet into the upper rail groove. (N.B. the bayonet insertion side will remain fixed and as such the insect screen will open from the opposite side.)



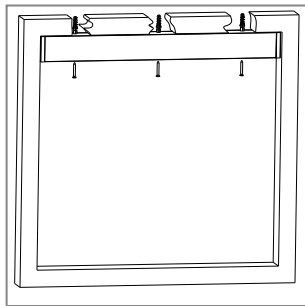
**2** Bring the upper bayonet flush with the groove and tighten with the dowel



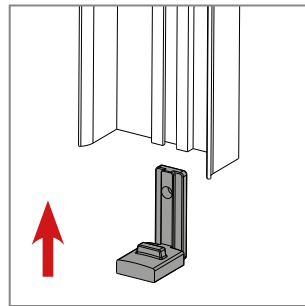
**3** Insert the small brush. **ATTENTION!** It should be inserted into the first groove starting from the bottom, as shown in the drawing.



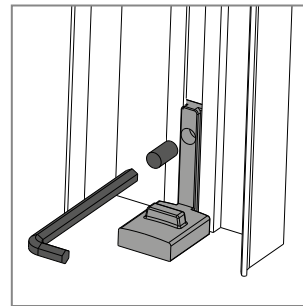
**4** Insert the stopper.



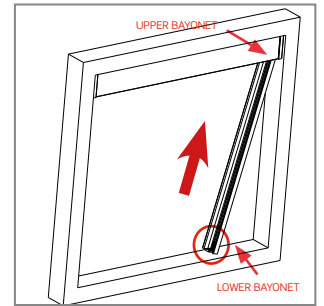
**5** Tighten the top rail to the wall using the holes.



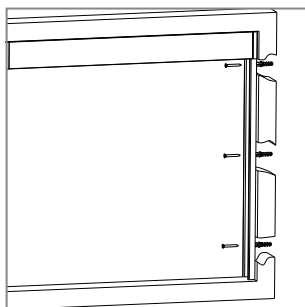
**6** Take the side profile and insert the lower bayonet into the groove from below. **ATTENTION!** The upper and lower bayonet must be on the same side!



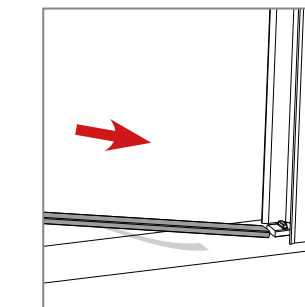
**7** Hold the lower bayonet with side profile and tighten using the dowel.



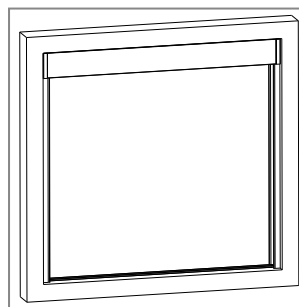
**8** Insert the side profile into the upper rail securing it to the side wall.



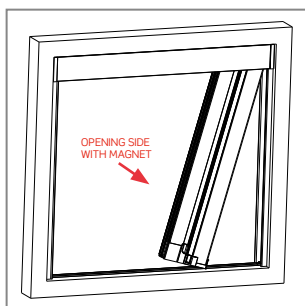
**9** Tighten the 2 side profiles to the right and left walls using the holes.



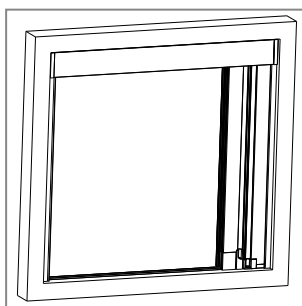
**10** Take the lower rail, remove the protective film of the double-side tape and apply it to the floor between the two side profiles, obtaining as a result the figure above.



**11** Take the insect screen, ensuring that the "ALTO" label is facing upwards.



**12** Insert the insect screen under the top rail from the side on which the bayonet is mounted, bringing it in contact towards the side wall on which the profile with bayonet is mounted. Then bring it down towards the floor. The magnet must therefore be on the opposite side.



**13** Try closing the insect screen, leading the magnet attachment assembly towards the opposite side.

## PRODUCT INFORMATION

USE • MAINTENANCE • GUARANTEE

This document is an integral part of the product and is intended for the benefit of all persons using the screen (users + installation and maintenance operators).

All the instructions listed in this document comply with the EU Machinery Directive and provides for the correct use, installation and maintenance of the screen, with the aim of avoiding damage to persons and to the product.

**MV LINE would like to congratulate you on your purchase of this insect screen.**

This guide will help you appreciate the advantages of this screen and assist you during the use, installation and maintenance phases. The company reserves the right to implement partial or complete modifications without prior notice and declines any responsibility in relation to any possible inaccurate or incomplete information.

This guide is the property of MV LINE.

**Reproduction (even partial) of this document is expressly prohibited without prior authorisation from MV LINE.**

### INTENDED USE

The insect screen is intended, as its name would suggest, to act as a protective screen against intrusive insects in the room or area where it has been located. Any other use shall be considered improper. The manufacturer will not be held responsible for damage arising from improper, erroneous and irrational use.

### PACKAGING, MOVEMENT AND TRANSPORT

- The screens are packaged in transparent bags, cardboard and polyethylene wrapping which protect the unit during transport.
- The screen can be moved by hand and does not require any special equipment to facilitate movement.
- Please take every precaution to avoid any possible damage to the screen.
- After removing the packaging, check that the screen is in perfect condition and that there are no visibly damaged parts. If in doubt, do not use the screen and contact the supplier.

### ATTENTION!!!

Packaging materials must not be left within the reach of children.

### USE

Avoid use (opening and closing of the screen) by children.

### MAINTENANCE

Regularly clean the magnetic parts using a damp cloth.

- In the case of wear and tear, lubricate the bearings using a silicone spray.
- All extraordinary maintenance operations must be carried out by suitably qualified personnel.
- Spare-parts are available from retailers or directly from MV LINE.

### DISASSEMBLY AND DECOMMISSIONING

Before disassembling the screen, please consult the instructions manual. The screen does not contain dangerous materials. There are no specific guidelines for decommissioning or disposal.

### GUARANTEE

Do not disassemble apparently malfunctioning parts or accessories on your own initiative, please contact the retailer who shall organise technical support and spare-parts, failure to do so will affect the conditions of the guarantee. The guarantee includes the complete or partial replacement of the unit or parts in the case of functional issues arising from manufacturing defects and is exempt from damage and deterioration caused by the customer.

In order to use the guarantee you must copy the **INSECT SCREEN CODE** as displayed on the label attached to the screen housing into the white space below (see fac-simile fig. 1) and attach the relevant proof of purchase (receipt or invoice).

This screen is guaranteed by MV LINE for a period of 24 months.

Code:

Find and copy the code displayed on the label attached to the screen housing as shown here.



### DECLARATION OF CONFORMITY

The undersigned

**MV LINE s.p.a.**

Via Umbria - Lotto 69 70021 Acquaviva delle Fonti (BA), Italy

Hereby declares that the product:

**LINDAPLUS**

Wind Resistance: **Class 2**

Complies to the following EU directives (including all applicable modifications):

Machinery Directive 89/392/CEE and Norm UNI EN 13561 Appendix ZA.1

Year of CE marking: 2014.

Acquaviva delle Fonti, 01.01.2014



MV LINE s.p.a.  
Via Umbria - Lotto 69 70021  
Acquaviva delle Fonti (BA)  
Product: FLYSCREEN  
Class: 2

Signature

**Paolo Montanaro**

(CEO)  
