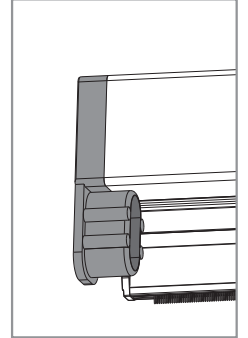
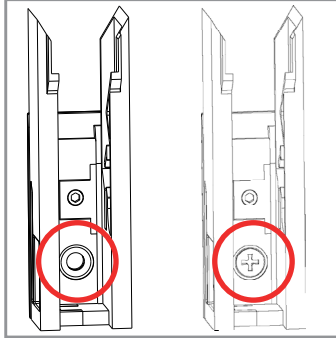
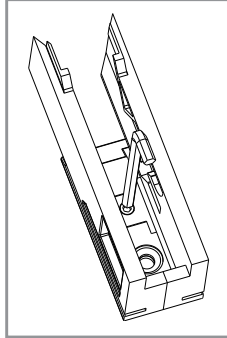
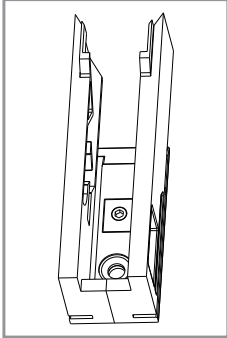
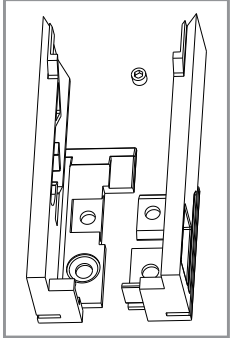


WIND 42 SMART INCAS INSTALLATION INSTRUCTIONS

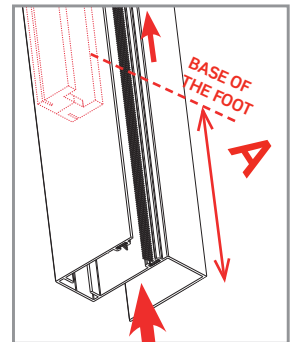
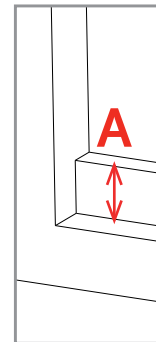
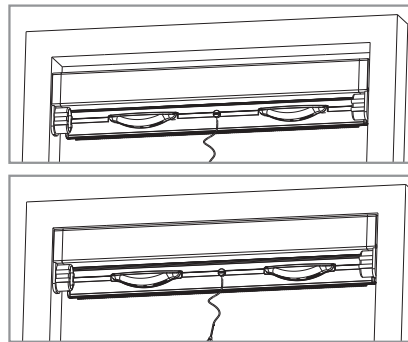
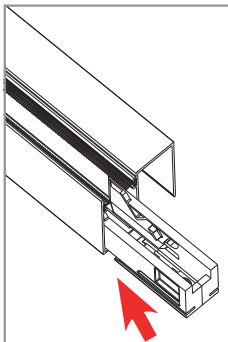
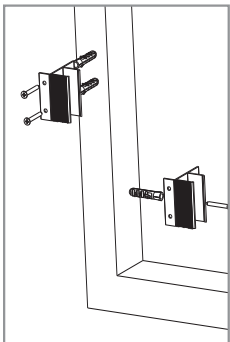
We suggest this insect screen to be assembled by qualified staff only in compliance with the followings instructions.

Please use only screws or plugs suited for the specific wall where the screen should be installed. Assure that jambs are parallel and right-angled; in case of out-of-squared jambs, please make them regular before to grant a parallel and right-angled surface to the screen's profiles.



- 1** Assemble the feet and join them with the provided screws. **WARNING:** The holes marked with the circle will be used for the insertion of the locking screws of the feet, after the inclusion in the guides.

- 2** Insert the plastic insert in both the caps of the box.

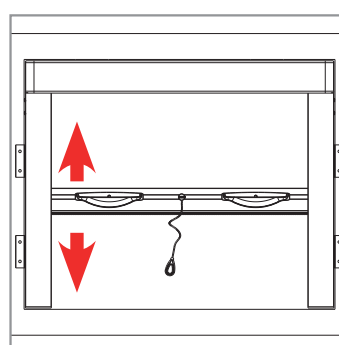
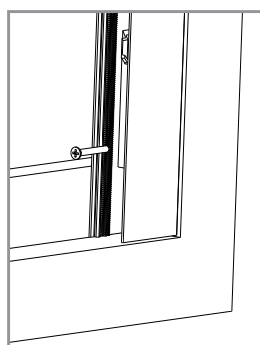
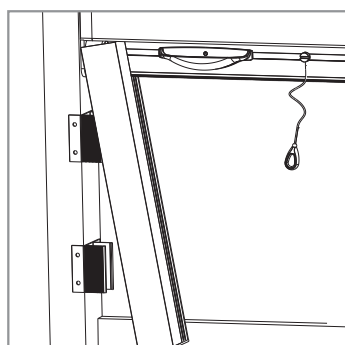


- 3** Fix the fasten plates for guides using the central hole or the lateral ones on both sides.

- 4** Insert the feet in the lower part of the guides.

- 5** Insert the box in the wall.

- 6** Measure the height (A) of the rise at the base of the compartment. Push the feet into the guides, climbing upwards until the base of the foot reaches the height "A" of the rise.



- 7** Position of the guides after having them fasten to the plates.

- 8** Fix the feet to the lateral walls, using the holes in point 1).

- 9** Verify the proper operation of the flyscreen.

PRODUCT INFORMATION

USE • MAINTENANCE • GUARANTEE

This document is an integral part of the product and is intended for the benefit of all persons using the screen (users + installation and maintenance operators).

All the instructions listed in this document comply with the EU Machinery Directive and provides for the correct use, installation and maintenance of the screen, with the aim of avoiding damage to persons and to the product.

MV LINE would like to congratulate you on your purchase of this insect screen.

This guide will help you appreciate the advantages of this screen and assist you during the use, installation and maintenance phases. The company reserves the right to implement partial or complete modifications without prior notice and declines any responsibility in relation to any possible inaccurate or incomplete information.

This guide is the property of MV LINE.

Reproduction (even partial) of this document is expressly prohibited without prior authorisation from MV LINE.

INTENDED USE

The insect screen is intended, as its name would suggest, to act as a protective screen against intrusive insects in the room or area where it has been located. Any other use shall be considered improper. The manufacturer will not be held responsible for damage arising from improper, erroneous and irrational use.

PACKAGING, MOVEMENT AND TRANSPORT

- The screens are packaged in transparent bags, cardboard and polyethylene wrapping which protect the unit during transport.
- The screen can be moved by hand and does not require any special equipment to facilitate movement.
- Please take every precaution to avoid any possible damage to the screen.
- After removing the packaging, check that the screen is in perfect condition and that there are no visibly damaged parts.

If in doubt, do not use the screen and contact the supplier.

ATTENTION!!!

Packaging materials must not be left within the reach of children.

USE

Avoid use (opening and closing of the screen) by children.

MAINTENANCE

Regularly clean the magnetic parts using a damp cloth.

- In the case of wear and tear, lubricate the bearings using a silicone spray.
- All extraordinary maintenance operations must be carried out by suitably qualified personnel.
- Spare-parts are available from retailers or directly from MV LINE.

DISASSEMBLY AND DECOMMISSIONING

Before disassembling the screen, please consult the instructions manual. The screen does not contain dangerous materials. There are no specific guidelines for decommissioning or disposal.

GUARANTEE

Do not disassemble apparently malfunctioning parts or accessories on your own initiative, please contact the retailer who shall organise technical support and spare-parts, failure to do so will affect the conditions of the guarantee. The guarantee includes the complete or partial replacement of the unit or parts in the case of functional issues arising from manufacturing defects and is exempt from damage and deterioration caused by the customer.

In order to use the guarantee you must copy the **INSECT SCREEN CODE** as displayed on the label attached to the screen housing into the white space below (see fac-simile fig. 1) and attach the relevant proof of purchase (receipt or invoice).

This screen is guaranteed by MV LINE for a period of 24 months.

Code:

Find and copy the code displayed on the label attached to the screen housing as shown here.



Declaration of Performance

The undersigned

MV LINE s.p.a.

Via Umbria - Lotto 69 70021 Acquaviva delle Fonti (BA), Italy

Hereby declares that the product:

WIND 42 SMART INCAS

complies to the following EU directives (including all applicable modifications):

Machinery Directive 89/392/CEE and Norm UNI EN 13561 Appendix ZA.1

Year of CE marking: 2017.

Acquaviva delle Fonti, 01.01.2017

CE EN 13561
06

MV LINE s.p.a.
Via Umbria - Lotto 69 70021
Acquaviva delle Fonti (BA)
Prodotto: ZANZARIERA
Classe: NPD

Signature

Paolo Montanaro

(CEO)

